



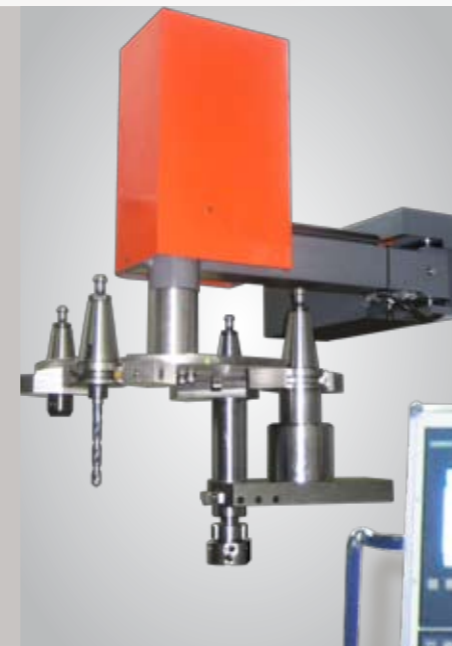
## VBX | CNC Vertical Boring Machines



VBX

# VBX300 | 500

- CNC ISO PROFESSIONAL PROGRAMMING
- CUSTOMIZED PROGRAMMING
- 3 AXIS MOVEMENT BY PRECISION BALLSCREWS AND INFINITELY VARIABLE SIEMENS SERVOMOTORS
- AUTOMATIC CHANGING OF TOOLS WITH STORAGE FOR 4 TOOLS
- COMPLETE AUTOMATIC WORK CYCLE



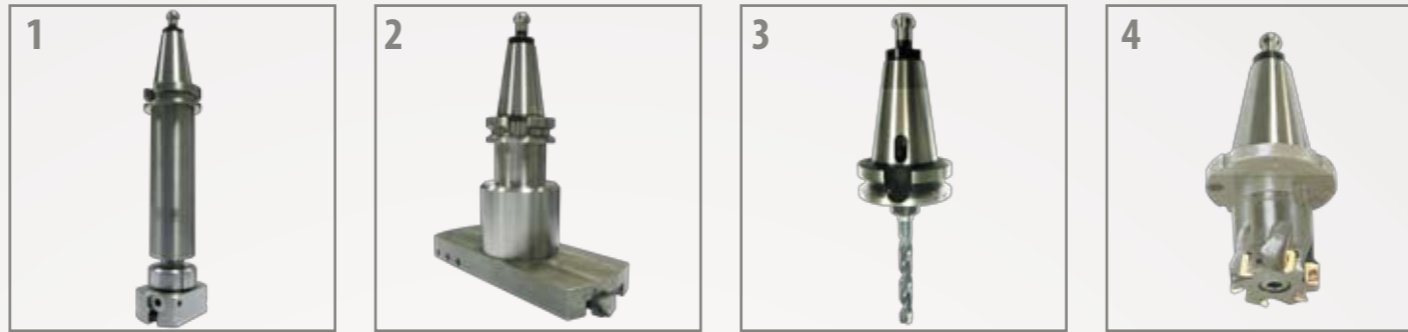
## SPECIFICATIONS

	VBX300	VBX500
<b>WORKING CAPACITY</b>		
Boring Range	30-400 mm	30-500 mm
Horizontal Travel - X AXIS	2000 mm	3500 mm
Vertical Spindle Travel - Z AXIS	700 mm	850 mm
Travel In/Out - Y AXIS	200 mm	300 mm
<b>SPEED</b>		
Spindle rotation	60-600 rpm	40-400 rpm
Head movement	0÷3000 mm/min	0÷3000 mm/min
Table movement	0÷3000 mm/min	0÷3000 mm/min
<b>MOTOR POWERS</b>		
Spindle rotation	5,5 KW	7 KW
Head movement (working and rapid feed)	20 Nm	25 Nm
Table movement	20 Nm	25 Nm



VBX300 | 500

CUTTERHEADS



- 1. CUTTER HEAD FOR BORING
- 2. CUTTER HEAD FOR SURFACING
- 3. CUTTER HEAD FOR DRILLING AND REAMERING
- 4. CUTTER HEAD FOR MILLING



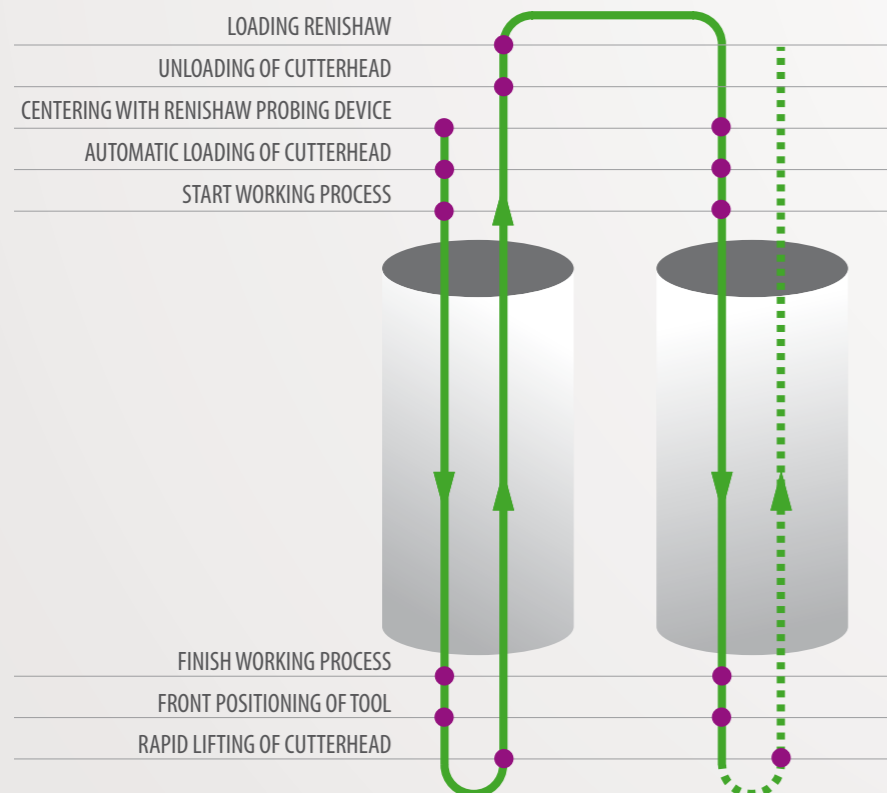
Automatic Centering and Tools Changing



AZ spa | MACHINE TOOLS



Wireless Probing System for Automatic Centering and Measuring RENISHAW

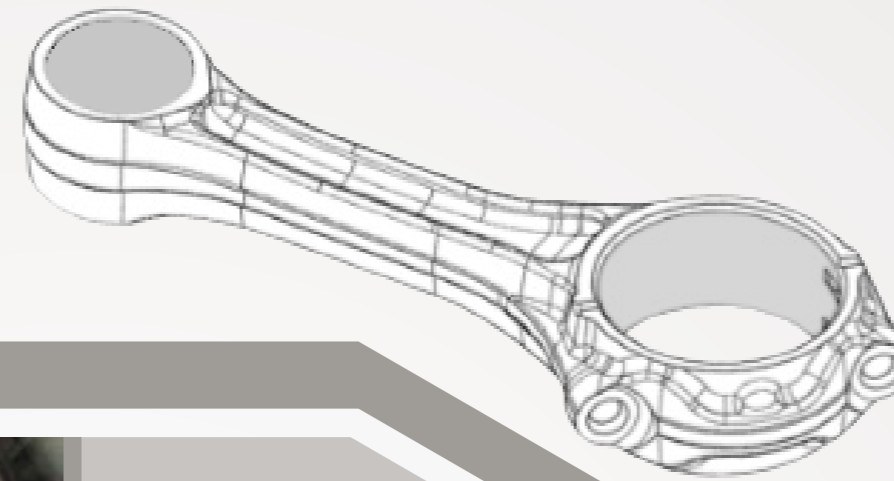


BORING CYCLE

- MOVES FROM BORE TO BORE AUTOMATICALLY
- SAVES ALL SETTING IN MEMORY



# VBX300 | 500

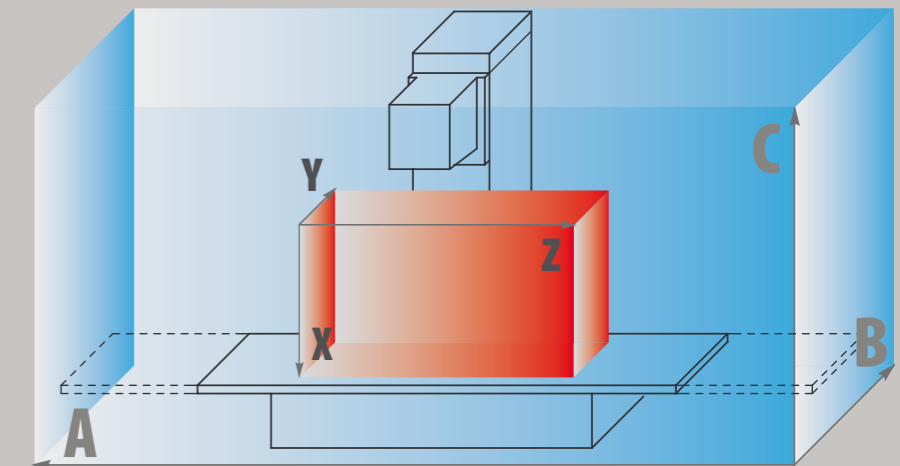


## LARGE CONNECTING ROD MACHINING AND GRINDING

Special heavy duty fixture for boring and grinding very large and heavy connecting rods until 500 mm of diameter

### DIMENSIONS AND TRAVEL OF WORKING AXIS

	VBX300	VBX500
<b>DIMENSIONS</b>		
A	5200 mm	8500 mm
B	2400 mm	2800 mm
C	3100 mm	3700 mm
<b>TRAVEL OF WORKING AXIS</b>		
X	750 mm	900 mm
Y	200 mm	300 mm
Z	1800 mm	3500 mm



AZ spa | MACHINE TOOLS

## EQUIPMENT

### VBX300 STANDARD

- Siemens 802D SL CNC Controll System
- Safety Protection Screen
- 2 Couples of parallel Supports
- Hydraulic Clamping of Cutter Head
- Service Tools and Instructions Booklet

### RECOMMENDED - OPTIONAL

- Equipment for Boring 52-85 mm Diameter
- Equipment for Boring 80-200 mm Diameter
- Equipment for Boring 125-320 mm Diameter
- CBN Milling Head with ISO Cone
- Renishaw RMP60 Wireless Probing System for Automatic Centering and Measuring
- Manual Gear Holding Device
- Automatic Gear Changing Device with 4 Docks
- Con-rod fixturing device for con-rods up to 1 meter center to center complete with spindle and grinding wheel for diameters up to 300 mm and from 300 to 500 mm

### VBX500 STANDARD

- Siemens 802D SL CNC Controll System
- Safety Protection Screen
- 2 Couples of parallel Supports
- Hydraulic Clamping of Cutter Head
- Service Tools and Instructions Booklet

### RECOMMENDED - OPTIONAL

- Equipment for Boring 52-85 mm Diameter
- Equipment for Boring 80-200 mm Diameter
- Equipment for Boring 125-320 mm Diameter
- Equipment for Boring 300-500 mm Diameter
- CBN Milling Head with ISO Cone
- Renishaw RMP60 Wireless Probing System for Automatic Centering and Measuring
- Manual Gear Holding Device
- Automatic Gear Changing Device with 4 Docks
- Con-rod fixturing device for con-rods up to 1 meter center to center complete with spindle and grinding wheel for diameters up to 300 mm and from 300 to 500 mm

07 / 06.07



V ENGINE SUPPORT

**AZ spa**

Viale dell' Elettronica, 20  
36016 THIENE (VI) **ITALY**  
tel. +39 0445 575543  
fax +39 0445 575640  
email: info@azspa.it



**WWW.AZSPA.IT**

**VBX | CNC Vertical Boring Machines**

